

**Code: 4G513**

B.Tech. I Year Supplementary Examinations March 2021

**Engineering Drawing**  
( Common to EEE, ECE, CSE & IT )

Max. Marks: 70

Time: 3 Hours

Answer all five units by choosing one question from each unit ( 5 x 14 = 70 Marks )

\*\*\*\*\*

**UNIT-I**

1. Draw a hyperbola when the distance between its focus and directrix is 50mm. Also draw a tangent and a normal at a point 70mm from the directrix.

**OR**

2. To construct regular pentagon of given side 25mm by using Inscribe circle method

**UNIT-II**

3. A line AB is 30mm long and inclined at 30° to VP and parallel to HP. The end A of the line is 15mm above HP and 20mm in front of VP. Draw its projections.

**OR**

4. A line AB 65mm long, has its end A 20mm above HP and 25mm in front of VP. The end B is 40mm above HP and 65mm in front of the VP. Draw the projections of AB and show its inclinations with the HP and the VP

**UNIT-III**

5. A thin rectangular plate of 60x40mm size has its shorter edge on HP and inclined at 30° to VP. Draw the projections of the plate when the top view is a square of 40mm side

**OR**

6. A circular plate of negligible thickness and 50mm diameter appears as an ellipse in the front view, having its major axis 50mm long and minor axis 30mm long. Draw its top view when the major axis of the ellipse is horizontal.

**UNIT-IV**

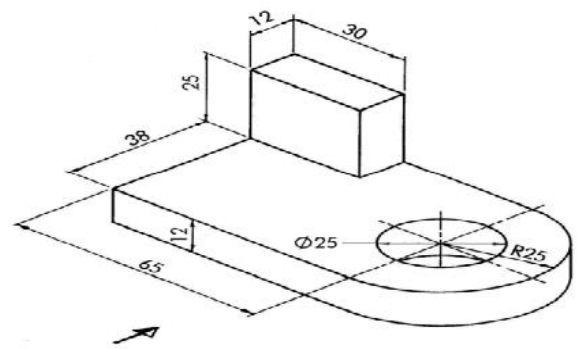
7. Draw the projections of a cylinder of base 30mm diameter and axis 50mm long when it is resting on HP on one of its base.

**OR**

8. a) Draw the isometric view of a pentagon of 50mm side, plane in vertical and horizontal  
b) Draw the isometric projections of a circle of 50mm diameter with its plane horizontal and vertical

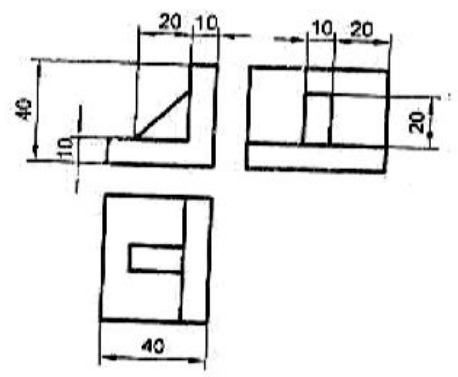
**UNIT-V**

9. Draw the Front View, Top View and Side View of



**OR**

10. Draw the isometric view of



\*\*\*

Hall Ticket Number :										
----------------------	--	--	--	--	--	--	--	--	--	--

**R-14**

**Code: 4GC14**

B.Tech. I Year Supplementary Examinations March 2021

**Mathematics-I**

( Common to All Branches )

Max. Marks: 70

Time: 3 Hours

Answer all five units by choosing one question from each unit ( 5 x 14 = 70 Marks )

\*\*\*\*\*

**UNIT-I**

1. Find the orthogonal trajectories of the family of curves  $r^n = a^n \cos n\theta$  14M

**OR**

2. Solve  $(D^3 + 1)y = e^{-x} + \cos(2x - 1)$  14M

**UNIT-II**

3. Verify Rolle' theorem for  $f(x) = e^{-x} \sin x$  in  $[0, \pi]$ . 14M

**OR**

4. Verify the Meclaurin's theorem for  $f(x) = (1 - x)^{\frac{5}{2}}$  with Lagrange's form of remainder up to 3 terms with  $x=1$ . 14M

**UNIT-III**

5. Trace the curve  $y^2(2a - x) = x^3$  14M

**OR**

6. Change of order of integration and hence evaluate the double integral  $\int_0^1 \int_{x^2}^{2-x} xy \, dx dy$  14M

**UNIT-IV**

7. Find the Laplace transform of periodic function  $f(t) = \begin{cases} 1, & 0 < t < a/2 \\ -1, & a/2 < t < a \end{cases}$  And  $f(t+a) = f(t)$ . 14M

**OR**

8. Solve  $y^{11} + 2y^1 + 5y = e^{-t}$ ,  $y(0) = 0$ ,  $y^1(0) = 1$  using Laplace transform technique. 14M

**UNIT-V**

9. Find the directional derivative of  $2xy + z^2$  at  $(1, -1, 3)$  in the direction of  $\bar{i} + 2\bar{j} + 3\bar{k}$ . 14M

**OR**

10. Verify Gauss divergence theorem for  $\bar{F} = (x^3 - yz)\bar{i} - 2x^2y\bar{j} + z\bar{k}$  taken over the surface of cube bounded by the planes  $x=y=z=a$  &  $x=y=z=0$ . 14M

\*\*\*