

Hall Ticket Number :

**R-20**

**Code: 20AC22T**

I B.Tech. II Semester Regular & Supplementary Examinations July 2023

**Applied Physics**

(Common to CSE, AI&DS, CSE(AI) and CSE(DS) )

Max. Marks: 70

Time: 3 Hours

\*\*\*\*\*

Note: 1. Question Paper consists of two parts (**Part-A** and **Part-B**)

2. In Part-A, each question carries **Two marks**.

3. Answer **ALL** the questions in **Part-A** and **Part-B**

**PART-A**

(Compulsory question)

- |                                                             |                 |     |    |
|-------------------------------------------------------------|-----------------|-----|----|
| 1. Answer ALL the following short answer questions          | ( 5 X 2 = 10M ) | CO  | BL |
| a) List any four engineering applications of polarization.  |                 | CO1 | L1 |
| b) Define Magnetic susceptibility.                          |                 | CO2 | L1 |
| c) What is critical angle of propagation in optical fibers? |                 | CO3 | L1 |
| d) Write the Einstein's relation in semiconductor.          |                 | CO4 | L1 |
| e) Write any two important properties of superconductors.   |                 | CO5 | L1 |

**PART-B**

Answer *five* questions by choosing one question from each unit ( 5 x 12 = 60 Marks )

Marks CO BL

**UNIT-I**

- |                                                                                                                                                                                                                                                                               |     |     |    |
|-------------------------------------------------------------------------------------------------------------------------------------------------------------------------------------------------------------------------------------------------------------------------------|-----|-----|----|
| 2. a) Explain the phenomenon of interference of light due to thin parallel film and find the conditions for maxima and minima.                                                                                                                                                | 10M | CO1 | L2 |
| b) A parallel beam of light of wavelength $6000\text{\AA}$ is incident on a glass plate of refractive index 1.5 such that the angle of refraction into the plate is $30^\circ$ . Calculate the smallest thickness of the plate, which will make it appear dark by reflection. | 2M  | CO1 | L3 |

**OR**

- |                                                                                              |     |     |    |
|----------------------------------------------------------------------------------------------|-----|-----|----|
| 3. Obtain the conditions for maxima and minima in Fraunhofer diffraction due to single slit. | 12M | CO1 | L4 |
|----------------------------------------------------------------------------------------------|-----|-----|----|

**UNIT-II**

- |                                                                                                                                       |     |     |    |
|---------------------------------------------------------------------------------------------------------------------------------------|-----|-----|----|
| 4. a) What is meant by polarization in dielectrics?                                                                                   | 2M  | CO2 | L1 |
| b) Explain electronic polarizability in atoms and obtain an expression for electronic polarizability in terms of radius of the atoms. | 10M | CO2 | L2 |

**OR**

- |                                          |    |     |    |
|------------------------------------------|----|-----|----|
| 5. a) Explain hysteresis loop in detail. | 8M | CO2 | L2 |
|------------------------------------------|----|-----|----|

- b) Classify the magnetic materials based on their hysteresis curve as soft and hard magnetic materials and mentioned their distinct characteristic features. 4M CO2 L4

**UNIT-III**

6. a) State and prove the Gauss's theorem for divergence. 6M CO3 L3  
 b) Derive the electromagnetic wave energy using Poynting's theorem. 6M CO3 L3

**OR**

7. a) Derive an expression for acceptance angle and numerical aperture. 10M CO3 L3  
 b) Calculate the acceptance angle of a given optical fiber, if the refractive indices of core and cladding are 1.562 and 1.497 respectively. 2M CO3 L3

**UNIT-IV**

8. a) Explain classification of solids into conductors, semiconductors and insulators 6M CO4 L2  
 b) Derive the drift and diffusion current in semiconductors. 6M CO4 L2

**OR**

9. a) State Hall effect and derive the value of Hall coefficient. 10M CO4 L3  
 b) Mention the applications of Hall effect. 2M CO4 L1

**UNIT-V**

10. a) What do you understand by Meissner's effect in superconductors? 4M CO5 L1  
 b) Discuss the electron-phonon interaction and the formation of Cooper pairs in superconductors on the basis of the BCS theory. 8M CO5 L3

**OR**

11. a) Explain the physical and chemical properties of nano materials. 4M CO5 L2  
 b) Explain the synthesis of nano materials by ball milling. 8M CO5 L2

\*\*\* End \*\*\*

Code: 20A223T

I B.Tech. II Semester Regular &amp; Supplementary Examinations July 2023

**Basic Electrical and Electronics Engineering**

(Common to CE, CSE, AI&amp;DS, CSE(AI) and CSE(DS) )

Max. Marks: 70

Time: 3 Hours

\*\*\*\*\*

Note: 1. Question Paper consists of two parts (**Part-A** and **Part-B**)2. In Part-A, each question carries **Two marks**.3. Answer **ALL** the questions in **Part-A** and **Part-B****PART-A**

(Compulsory question)

- | 1. Answer ALL the following short answer questions ( 5 X 2 = 10M )   | CO | BL |
|----------------------------------------------------------------------|----|----|
| a) State and explain Kirchoff's Voltage Law.                         | 1  | 2  |
| b) Write the necessity of commutator for operation of a D.C machine? | 2  | 3  |
| c) Write the principle of operation of transformer?                  | 3  | 2  |
| d) Draw the circuit diagram symbols for p-n-p and n-p-n transistors  | 4  | 1  |
| e) How are moving coil instruments classified?                       | 5  | 1  |

**PART-B**Answer *five* questions by choosing one question from each unit ( 5 x 12 = 60 Marks )

Marks CO BL

**UNIT-I**

- |                                                                                                                                                                                       |    |   |   |
|---------------------------------------------------------------------------------------------------------------------------------------------------------------------------------------|----|---|---|
| 2. a) Two resistances when they are in series have an equivalent resistance of 9ohms and when connected in parallel have an equivalent resistance of 2ohms. Find the two resistances? | 6M | 1 | 2 |
| b) What is the potential difference between X and Y in the network shown in Fig.1.                                                                                                    |    |   |   |

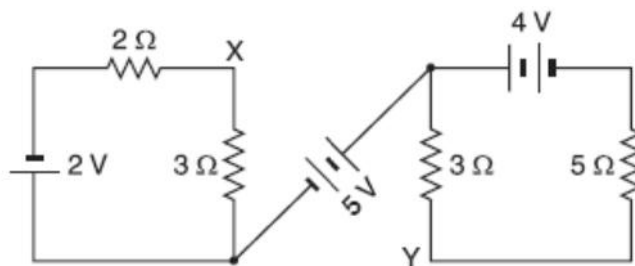


Fig.1

6M 1 3

**OR**

- |                                                                                                                                                                                                                                                |    |   |   |
|------------------------------------------------------------------------------------------------------------------------------------------------------------------------------------------------------------------------------------------------|----|---|---|
| 3. a) Two resistors 4 ohms and 6 ohms are connected in parallel. If the current supplied by source is 30 A. Find the equivalent resistance and current through each branch.                                                                    | 6M | 1 | 2 |
| b) A 35 V d.c supply is connected across a resistance of 600ohms in series with an unknown resistance R. A voltmeter having a resistance 1200 ohms is connected across 600ohms and shows a reading of 5V. Calculate the value of resistance R. | 6M | 1 | 3 |

**UNIT-II**

4. a) Derive the torque equation of a DC motor? 6M 2 3
- b) A 1500 kW, 550V, 10 pole generator runs at 150 r.p.m. There are 2500 lap connected conductors and the full load copper losses are 25KW. The air gap flux density has a uniform value of 0.9wb/m<sup>2</sup>. Calculate the no load terminal voltage and the area of the pole shoe? 6M 2 3

**OR**

5. a) Draw the circuit diagram of DC series generator and write the relations between voltages and currents? Write its applications. 6M 2 2
- b) Explain the Swinburne's test to determine the efficiency of a DC machine. 6M 2 1

**UNIT-III**

6. a) Explain principle of operation of a 1 phase transformer? 6M 3 2
- b) Derive the expression for the regulation of a 1 phase transformer and discuss whether its value should be low or high to get the better efficiency? 6M 3 4

**OR**

7. a) Explain in detail about the constructional features and operation of an alternator? 6M 3 1
- b) Draw and explain about the torque slip characteristics of an induction motor? 6M 3 2

**UNIT-IV**

8. a) Explain about the principle of operation of a full wave rectifier with the help of circuit diagram? 6M 4 2
- b) Explain in detail about the differences between PNP and NPN transistors? 6M 4 3

**OR**

9. a) Discuss about the differences between half wave rectifier and full wave rectifier by using the output waveforms? 6M 4 4
- b) Draw and explain the input and output characteristics for transistor CE configuration? 6M 4 3

**UNIT-V**

10. Draw the block diagram of a general purpose CRO and explain the functions of various blocks 12M 5 1

**OR**

11. Explain the working of MCB with neat diagram. 12M 5 3

\*\*\* End \*\*\*

Hall Ticket Number :									
----------------------	--	--	--	--	--	--	--	--	--

**R-20**

**Code: 20AC21T**

I B.Tech. II Semester Regular & Supplementary Examinations July 2023

**Differential Equations and Vector Calculus**

(Common to all Branches)

Max. Marks: 70

Time: 3 Hours

\*\*\*\*\*

- Note: 1. Question Paper consists of two parts (**Part-A** and **Part-B**)  
 2. In Part-A, each question carries **Two marks**.  
 3. Answer **ALL** the questions in **Part-A** and **Part-B**

**PART-A**

(Compulsory question)

- |                                                                    |                 |    |    |
|--------------------------------------------------------------------|-----------------|----|----|
| 1. Answer ALL the following short answer questions ( 5 X 2 = 10M ) |                 | CO | BL |
| a) Find the particular integral of $(D^2 - 2D + 1)y = e^{2x}$      | ( 5 X 2 = 10M ) | 1  | 2  |
| b) Write the second order Legendre's Linear Equation form          |                 | 2  | 3  |
| c) Find the partial differential equations of $Z=ax+by$            |                 | 3  | 2  |
| d) Find div F if $F = (x^3 + y^3 + z^3 - xyz)$                     |                 | 4  | 3  |
| e) State Stoke's Thorem                                            |                 | 5  | 3  |

**PART-B**

Answer five questions by choosing one question from each unit ( 5 x 12 = 60 Marks)

Marks CO BL

- |                                                                                                                                                                                                                                                                                                                                          |     |   |   |
|------------------------------------------------------------------------------------------------------------------------------------------------------------------------------------------------------------------------------------------------------------------------------------------------------------------------------------------|-----|---|---|
|                                                                                                                                                                                                                                                                                                                                          |     |   |   |
| <b>UNIT-I</b>                                                                                                                                                                                                                                                                                                                            |     |   |   |
| 2. Solve $(D - 2)^2 y = e^{2x} + \sin 2x + x^2$                                                                                                                                                                                                                                                                                          | 12M | 1 | 3 |
| <b>OR</b>                                                                                                                                                                                                                                                                                                                                |     |   |   |
| 3. Using variation of parameter to solve $\frac{d^2 y}{dx^2} + a^2 y = \sec ax$                                                                                                                                                                                                                                                          | 12M | 1 | 3 |
| <b>UNIT-II</b>                                                                                                                                                                                                                                                                                                                           |     |   |   |
| 4. Solve $(1 + x^2) \frac{d^2 y}{dx^2} + (1 + x^2) \frac{dy}{dx} + y = \sin [\log(1 + x^2)]$                                                                                                                                                                                                                                             | 12M | 2 | 3 |
| <b>OR</b>                                                                                                                                                                                                                                                                                                                                |     |   |   |
| 5. An uncharged condenser of capacity C is charged by applying an e. m.f $\frac{E \sin t}{\sqrt{LC}}$ through leads of self-inductance L and negligible resistance, prove that at any time t, the charge on one of the plates is $\frac{EC}{2} \left\{ \sin \frac{t}{\sqrt{LC}} - \frac{t}{\sqrt{LC}} \cos \frac{t}{\sqrt{LC}} \right\}$ | 12M | 2 | 3 |
| <b>UNIT-III</b>                                                                                                                                                                                                                                                                                                                          |     |   |   |
| 6. a) Form the partial differential equation by eliminating arbitrary functions f and g from $z = f(x + at) + g(x - at)$                                                                                                                                                                                                                 | 6M  | 3 | 3 |
| b) Solve $x^2(y - z)p + y^2(z - x)q = z^2(x - y)$                                                                                                                                                                                                                                                                                        | 6M  | 3 | 3 |

OR

7. Using the method of separation of variables, solve  $\frac{\partial u}{\partial x} = 2 \frac{\partial u}{\partial t} + u$  where  $u(x, 0) = 6e^{-3x}$  12M 3 3

UNIT-IV

8. a) Find the directional derivative of  $f(x, y, z) = xy^2 + yz^3$  at the point  $(2, -1, 1)$  in the direction of vector  $\vec{i} + \vec{j} + \vec{k}$ . 6M 4 3
- b) Find the angle between the surfaces  $z = x^2 + y^2 - 3$  at the point  $(2, -1, 2)$ . 6M 4 3

OR

9. Find constants  $a, b, c$  so that the vector  $A = (x + 2y + az)\vec{i} + (bx - 3y - z)\vec{j} + (cy + 2z)\vec{k}$  is irrotational. Also find  $\phi$  such that  $A = \nabla\phi$ . 12M 4 3

UNIT-V

10. Verify Green's theorem for  $\int_C [(x^2y + y^2)dx + (x + x^2)dy]$  where  $C$  is bounded by  $y=x$  and  $y = x^2$ . 12M 5 3

OR

11. Verify Stoke's theorem for  $F = (x^2 + y^2)\vec{i} - xyz\vec{j}$  taken around the rectangle bounded by the lines  $x = \pm a, y = c, y = b$ . 12M 5 3

\*\*\* End \*\*\*

Hall Ticket Number :

--	--	--	--	--	--	--	--	--	--	--	--	--	--	--	--	--	--	--	--

**R-20**

**Code: 20A521T**

I B.Tech. II Semester Regular & Supplementary Examinations July 2023

## **Data Structures through Python**

(Common to CSE, AI&DS, AI&ML, CSE(AI) and CSE(DS) )

Max. Marks: 70

Time: 3 Hours

\*\*\*\*\*

- Note: 1. Question Paper consists of two parts (**Part-A** and **Part-B**)  
2. In Part-A, each question carries **Two marks**.  
3. Answer **ALL** the questions in **Part-A** and **Part-B**

### **PART-A**

(Compulsory question)

1. Answer **ALL** the following short answer questions ( 5 X 2 = 10M )
- |                                                                        | CO  | BL |
|------------------------------------------------------------------------|-----|----|
| a) Compare type conversion methods in Python.                          | CO1 | L2 |
| b) What are formal parameters?                                         | CO2 | L1 |
| c) Can a Python function return multiple values? If yes, how it works? | CO3 | L1 |
| d) How will you define a Date ADT?                                     | CO4 | L2 |
| e) Write short notes on expression trees.                              | CO5 | L1 |

### **PART-B**

Answer *five* questions by choosing one question from each unit ( 5 x 12 = 60 Marks )

Marks CO BL

#### **UNIT-I**

2. Define an Expression. Illustrate different operators in an expression in Python, in the order of their precedence with examples.
- 12M CO1 L2

**OR**

3. a) What is a list? Summarize common list operations with suitable examples.
- 8M CO1 L1
- b) Outline the list comprehensions in Python used to generate sequences.
- 4M CO1 L2

#### **UNIT-II**

4. a) Interpret parameter passing to a function in Python.
- 10M CO1 L2
- b) Define keyword arguments.
- 2M CO1 L1

**OR**

5. a) Discuss three fundamental features of object-oriented programming.
- 4M CO2 L3
- b) Design a Python code to call a class method from another class method
- 8M CO2 L3

**UNIT-III**

6. a) Evaluate operator overloading and method overloading with suitable programs. 7M CO3 L2  
 b) What are abstract classes? Give examples. 5M CO3 L1

**OR**

7. Analyze the importance of error and exception-handling techniques in Python. Justify your answer. 12M CO3 L4

**UNIT-IV**

8. Construct a linked list with a neat diagram (choose any random elements) and explain the following operations with appropriate functions.  
 i) Traversing the list  
 ii) Creation of a new node  
 iii) Removing a node  
 iv) Searching for a node 12M CO4 L3

**OR**

9. a) With a neat diagram, show the implementation of the stack ADT for the following values. 7 13 45 19 28 -1 10M CO4 L3  
 b) List the applications of stack. 2M CO4 L1

**UNIT-V**

10. a) What is a binary tree? Explain binary tree traversals with appropriate examples and program code. 8M CO5 L5  
 b) Differentiate binary tree and binary search tree. 4M CO5 L1

**OR**

11. a) Define a Heap. Construct a max heap for the following: {12, 15, 9, 8, 10, 18, 7, 20, 25} 9M CO5 L1, L3  
 b) How will you remove an interior node with two children in a binary search tree? 3M CO5 L1

\*\*\* End \*\*\*



Hall Ticket Number :

R-20

Code: 20A324T-B

I B.Tech. II Semester Regular Examinations July 2023

## Engineering Drawing

(Common to CSE, CSE(AI) and CSE(DS))

Max. Marks: 70

Time: 3 Hours

Answer five full questions by choosing one question from each unit (5 x 14 = 70 Marks)

\*\*\*\*\*

Marks CO BL

### UNIT-I

1. The major and minor axes of an ellipse are 120mm and 80mm. Draw an ellipse by Concentric Circles method
- 14M CO1 L2

OR

2. a) Using a compass and ruler, construct a square with a given side length 40mm.
- 4M CO1 L2
- b) Sketch an epicycloid with the radius of the rolling circle as 4 cm and the radius of the fixed circle as 12 cm.
- 10M CO1 L2

### UNIT-II

3. A line KL, 90 mm long, is inclined at an angle of 30 degrees to the horizontal reference plane and 60 degrees to the vertical reference plane. One end of the line is 15mm above HP and 20mm in front of VP. Find the traces of line KL on the horizontal and vertical reference planes.
- 14M CO2 L3

OR

4. A 100mm long line is parallel to and 40mm above the H.P. Its two ends are 25mm and 50mm in front of the V.P respectively. Draw its projections and find its inclination with the V.P
- 14M CO2 L3

### UNIT-III

5. a) A square ABCD of 40 mm side has a corner on the H.P. and 20 mm in front of the V.P. All the sides of the square are equally inclined to the H.P. and parallel to the V.P. Draw its projections.
- 7M CO3 L3
- b) A circular plate of diameter 50mm is resting on HP on a point on the circumference with its surface inclined at  $45^\circ$  to HP and perpendicular to VP. Draw its projections
- 7M CO3 L3

OR

6. A regular pentagon of 25 mm side has one side on the ground and inclined at  $30^\circ$  to V.P. Its plane is inclined at  $45^\circ$  to the H.P. Draw its projections.
- 14M CO3 L3

**UNIT-IV**

7. A hexagonal pyramid, base 30 mm side and axis 55 mm long, has an edge of its base on the ground. Its axis is inclined at  $45^\circ$  to the ground and parallels to the H.P. Draw its projections.

14M CO4 L3

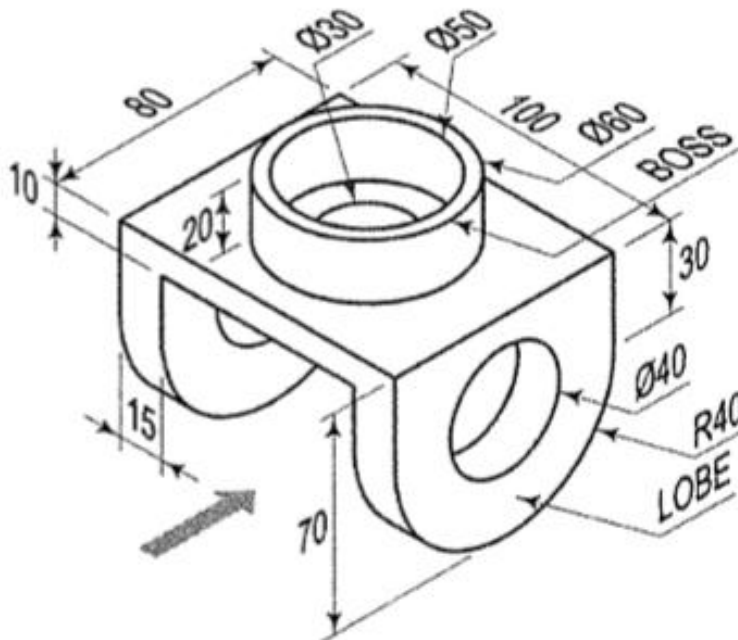
**OR**

8. A square prism, base 40mm side and height 65mm has its axis inclined at  $45^\circ$  to the HP and has an edge of its base, on the HP and inclined at  $30^\circ$  to the VP. Draw its Projections

14M CO4 L3

**UNIT-V**

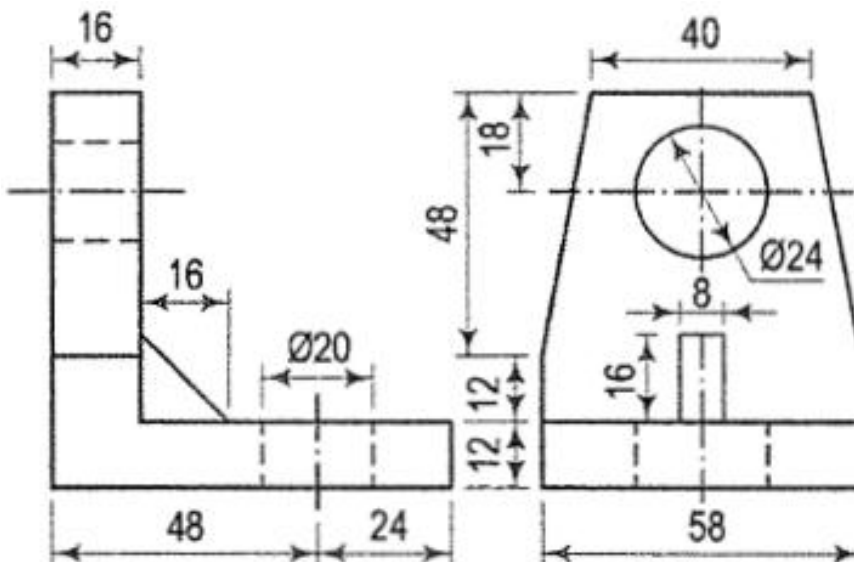
9. Draw the front view, top view and right side view for the following figure



14M CO5 L3

**OR**

10. Draw the isometric view for the following figure



14M CO5 L3

\*\*\* End \*\*\*